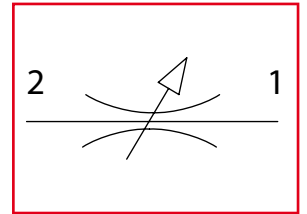


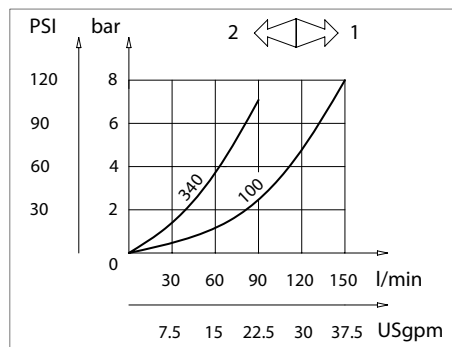
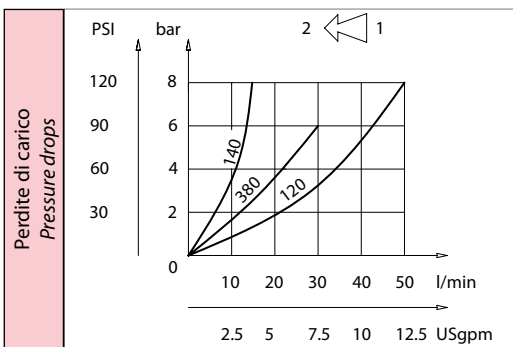
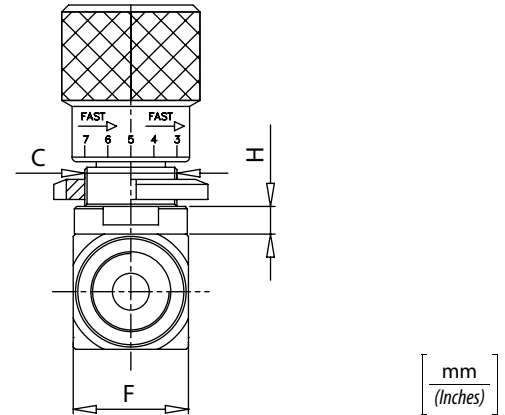
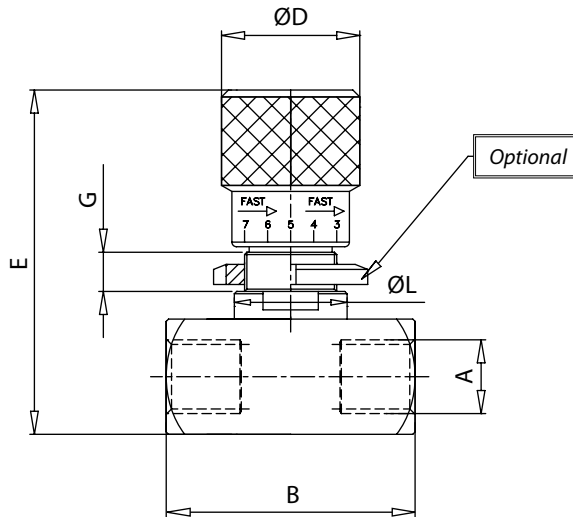
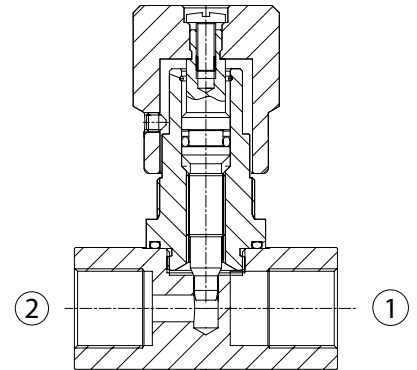


# STBF-BSP

Valvole di controllo flusso bidirezionali  
Bidirectional flow control valves



Dati tecnici Technical data	
Viscosità fluido Fluid viscosity	10-500 mm <sup>2</sup> /s 45 to 2000 ssu (6 to 420 cSt)
Classe di contaminazione Filtration	ISO code 16/13 SAE class 4 or better
Temperatura fluido Fluid temperature	-20°C +80°C -4°F +176°F
Temperatura ambiente Ambient temperature	-20°C +50°C -4°F +122°F



Codice ordinazione Ordering code	
<b>STBF-X</b>	
X	Dimensione / Size
140	BSPP 1/4
380	BSPP 3/8
120	BSPP 1/2
340	BSPP 3/4
100	BSPP 1

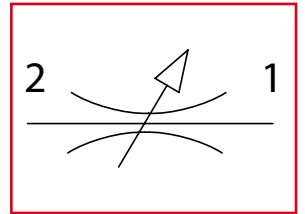
## Caratteristiche tecniche Technical performances

Code Code	A	Portata Max Max flow l/min - USgpm	Pressione Max Max pressure bar/PSI	B	C	D	E	F	G	H	L	Optional Code	Peso approssimativo Approx weight Kg / lb
STBF140	BSPP 1/4	15 (4)	400 (5800)	54 (2.13)	M20x1	30 (1.18)	75 (2.95)	25 (0.98)	7,5 (0.29)	6 (0.23)	24,5 (0.96)	84100022	0,33 (0.73)
STBF380	BSPP 3/8	30 (8)		64 (2.52)	M25x1,5	33 (1.30)	81 (3.19)	30 (1.18)	9 (0.35)	7 (0.27)	29,5 (1.16)	84100023	0,31 (0.69)
STBF120	BSPP 1/2	50 (13)		81 (3.19)	M35x1,5	42 (1.65)	110 (4.33)	40 (1.57)	15,5 (0.61)	8 (0.31)	39,5 (1.55)	84100024	1,13 (2.50)
STBF340	BSPP 3/4	80 (21)		102 (4.02)		115 (4.53)	45 (1.77)	1,50 (3.3)					
STBF100	BSPP 1	150 (40)											

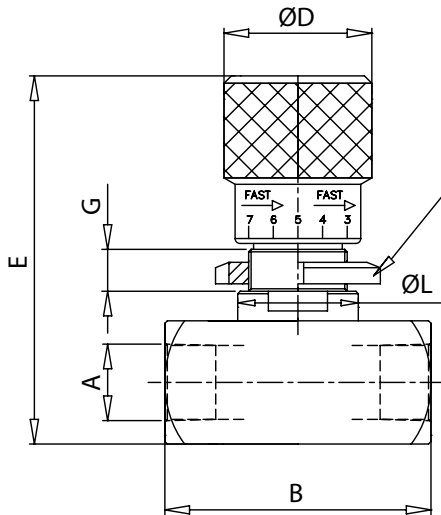
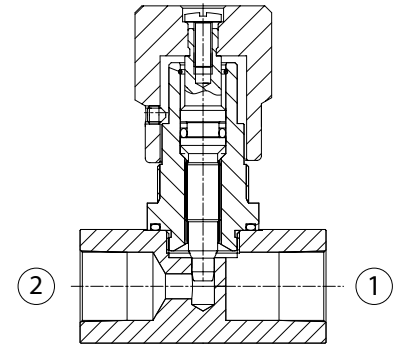


# STBF-NPTF

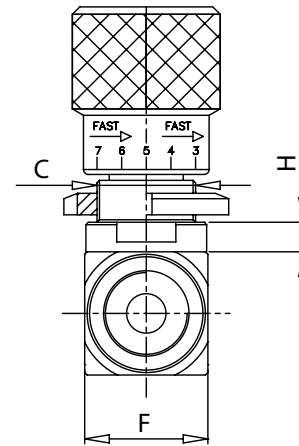
Valvole di controllo flusso bidirezionali  
Bidirectional flow control valves



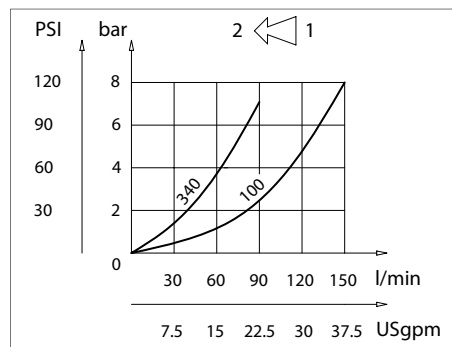
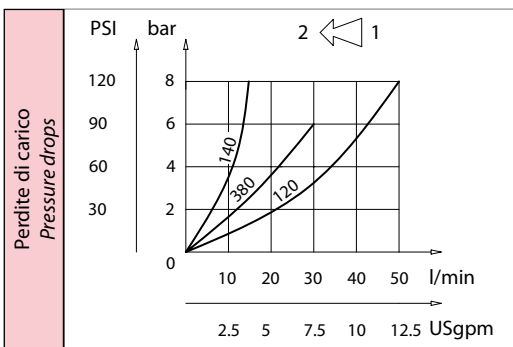
Dati tecnici Technical data	
Viscosità fluido Fluid viscosity	10-500 mm <sup>2</sup> /s 45 to 2000 ssu (6 to 420 cSt)
Classe di contaminazione Filtration	ISO code 16/13 SAE class 4 or better
Temperatura fluido Fluid temperature	-20°C +80°C -4°F +176°F
Temperatura ambiente Ambient temperature	-20°C +50°C -4°F +122°F



Optional



mm  
(Inches)



Codice ordinazione Ordering code	
<b>STBF-X-NPTF</b>	
X	Dimensione / Size
140	NPTF 1/4
380	NPTF 3/8
120	NPTF 1/2
340	NPTF 3/4
100	NPTF 1

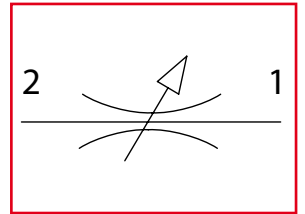
## Caratteristiche tecniche Technical performances

Codice Code	A	Portata Max Max flow l/min - USgpm	Pressione Max Max pressure bar/PSI	B	C	D	E	F	G	H	L	Optional Code	Peso approssimativo Approx weight Kg / lb
STBF140NPTF	NPTF 1/4	15 (4)	400 (5800)	54 (2.13)	M20x1	30 (1.18)	75 (2.95)	25 (0.98)	7,5 (0.29)	6 (0.23)	24,5 (0.96)	84100022	0,36 (0.79)
STBF380NPTF	NPTF 3/8	30 (8)		64 (2.52)	M25x1,5	33 (1.30)	81 (3.19)	30 (1.18)	9 (0.35)	7 (0.27)	29,5 (1.16)	84100023	0,34 (0.75)
STBF120NPTF	NPTF 1/2	50 (13)		81 (3.19)	M35x1,5	42 (1.65)	110 (4.33)	40 (1.57)	15,5 (0.61)	8 (0.31)	39,5 (1.55)	84100024	1,22 (2.70)
STBF340NPTF	NPTF 3/4	80 (21)		102 (4.02)			115 (4.53)	45 (1.77)					1,60 (3.52)
STBF100NPTF	NPTF 1	150 (40)											

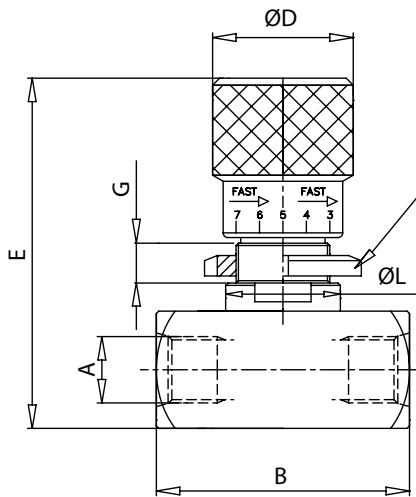
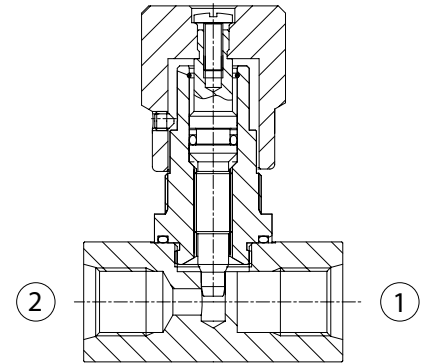


# STBF-SAE

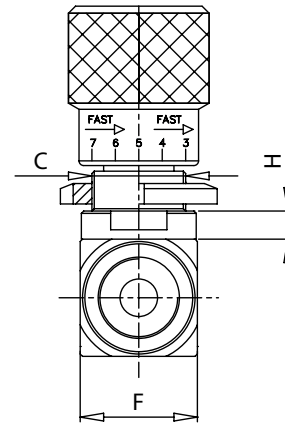
Valvole di controllo flusso bidirezionali  
Bidirectional flow control valves



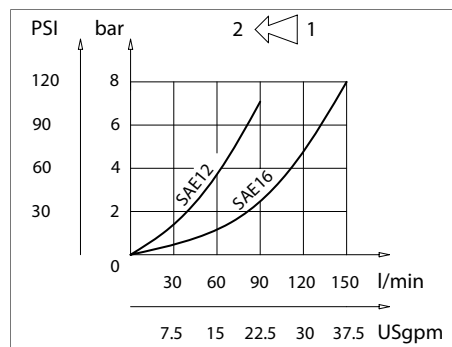
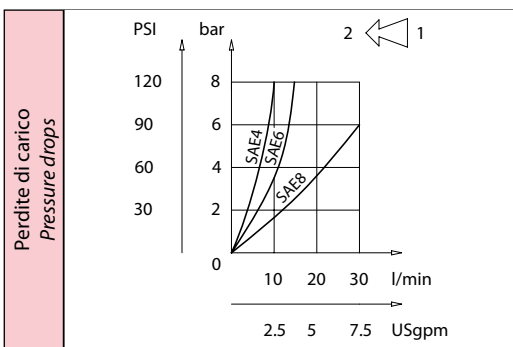
Dati tecnici Technical data	
Viscosità fluido Fluid viscosity	10-500 mm <sup>2</sup> /s 45 to 2000 ssu (6 to 420 cSt)
Classe di contaminazione Filtration	ISO code 16/13 SAE class 4 or better
Temperatura fluido Fluid temperature	-20°C +80°C -4°F +176°F
Temperatura ambiente Ambient temperature	-20°C +50°C -4°F +122°F



Optional



mm  
(Inches)



Codice ordinazione Ordering code	
<b>STBF-X-SAE</b>	
X	Dimensione / Size
4	7/16 - 20UNF
6	9/16 - 18UNF
8	3/4 - 16UNF
12	1 - 1/16 - 12UNF
16	1 - 5/16 - 12UNF

## Caratteristiche tecniche Technical performances

Codice Code	A	Portata Max Max flow l/min - USgpm	Pressione Max Max pressure bar/PSI	B	C	D	E	F	G	H	L	Optional Code	Peso approssimativo Approx weight Kg / lb
STBF4SAE	7/16 - 20UNF	15 (4)	400 (5800)	54 (2.13)	M20x1	30 (1.18)	75 (2.95)	25 (0.98)	7,5 (0.29)	6 (0.23)	24,5 (0.96)	84100022	0,36 (0.79)
STBF6SAE	9/16 - 18UNF	30 (28)		64 (2.52)	M25x1,5	33 (1.30)	81 (3.19)	30 (1.18)	9 (0.35)	7 (0.27)	29,5 (1.16)	84100023	0,34 (0.75)
STBF8SAE	3/4 - 16UNF	50 (13)		81 (3.19)	M35x1,5	42 (1.65)	110 (4.33)	40 (1.57)	15,5 (0.61)	8 (0.31)	39,5 (1.55)	84100024	0,48 (1.05)
STBF12SAE	1 - 1/16 - 12UNF	80 (21)		102 (4.02)		115 (4.53)	45 (1.77)	1,22 (2.70)					
STBF16SAE	1 - 5/16 - 12UNF	150 (40)		102 (4.02)		115 (4.53)	45 (1.77)	1,60 (3.50)					